

## Instructions

### HCV Door drive

Type: HCV (24/48VDC)



## Safety Notes



- **Operating voltage 24/48VDC ±15%, max Ripple: 2 volt PP.**
- **Don't connect directly to grid!**
- Connection must be carried out by authorized electricians.
- It's necessary to ensure that people keep away from the operation area of the drives. Danger of violent pressure in accessible area!
- Use only in dry rooms.

## Application area

- For opening of doors
- Suitable for fire and heat ventilation

## Features

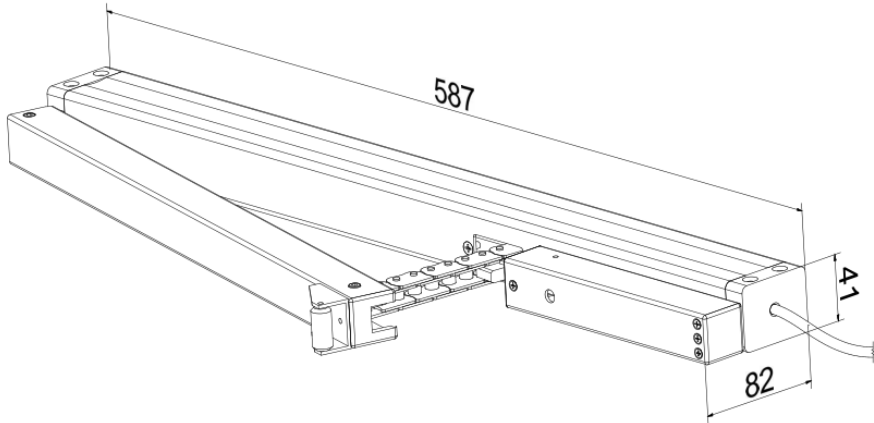
- Microprocessor controlled BUS-synchronization
- Electronic overload protection
- Reduced speed and force during the last 50 mm of closing ("Soft-close")
- Anodized aluminium housing.
- Drive is supplied with 2.5 m silicone cable
- Compatible to all Actulux SV and SVM Control Panels
- Tested according to EN 12101-2, EN 50130-4.

## Technical data

Type	Voltage/ Current	Push- force	Pull- force	Stroke length	Speed Comfort	Speed Fire
HCV 500/600	24VDC / 1,4A 48VDC / 0,7A	500N	500N	600 mm	10 mm/s	10 mm/s

- Push force: 500 N
- Current: 1.4 A/0.7 A
- Voltage: 24V/48VDC ± 15 %
- Locking force: 2000N
- Lifecycle: >11000 double strokes
- Duty cycle: 30% at 10 min. running time
- Opening angle 90°
- Speed Open/Close: 10 mm/s
- Protective class: IP32
- Temperature range: -25°C ~ +75°C
- Soft close speed: ca. 5 mm/s
- Soft close distance: 50 mm

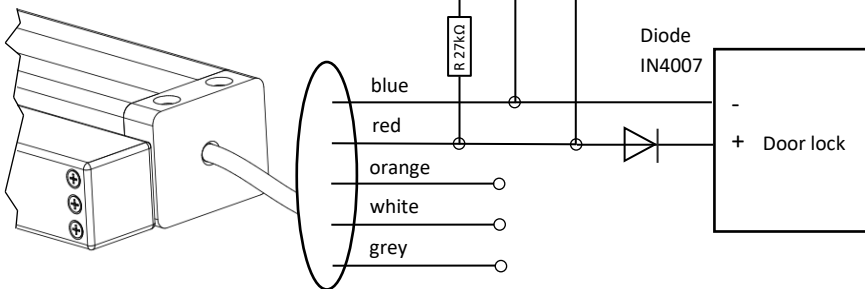
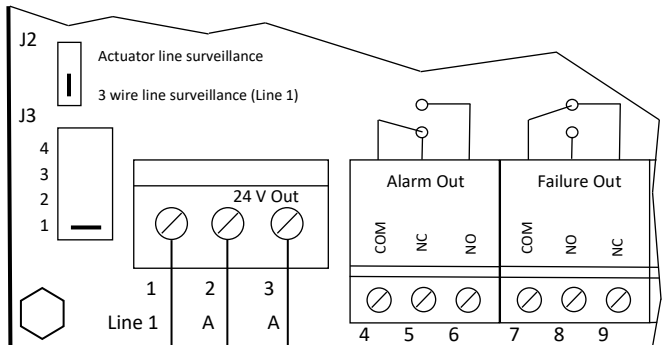
## Dimensions of Door drive



## Connection of Door drive

## SVM control panel

For line surveillance a third wire is necessary. Connect a 27kΩ resistor between terminal 1 and the red wire. Further set jumpers J2 and J3 like shown in drawing. If no line surveillance is necessary, remove jumper J2 and J3.



**Caution: The white and grey core are only for changing parameters. Parameter change can only be made by an Actulux or authorized service and sales partner by Actulux.**

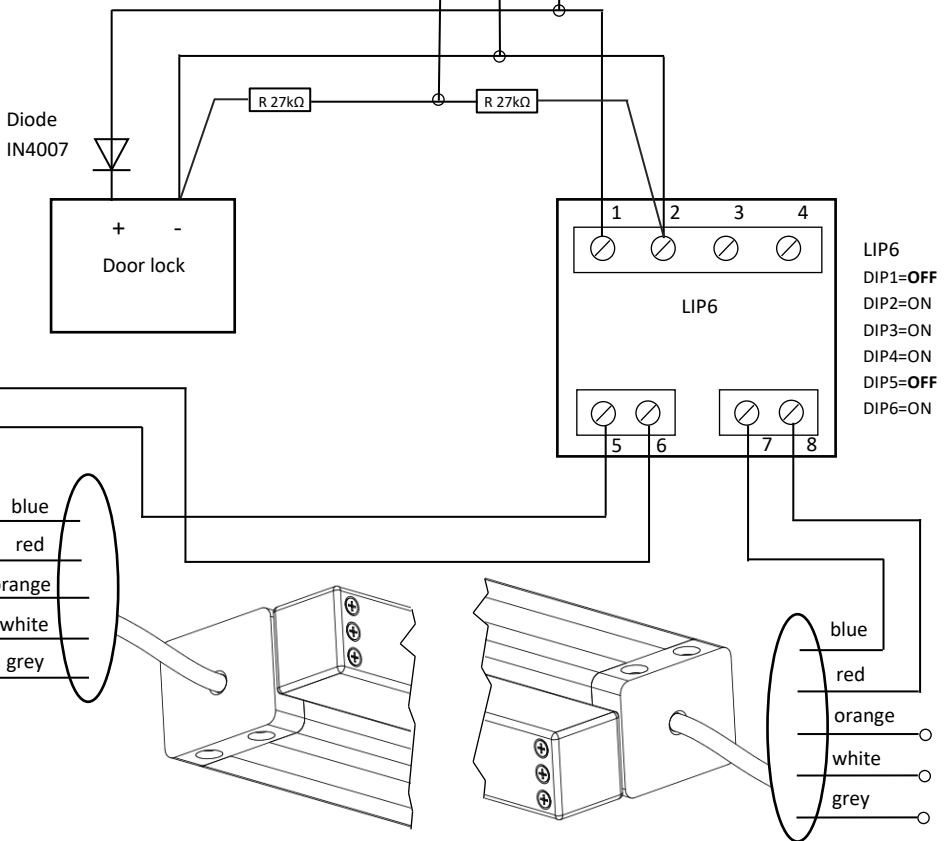
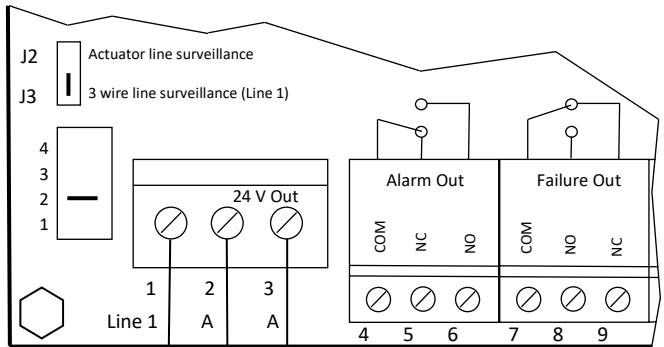
**Do not connect the white and grey wire to 24V!**

# Connection of 2 Door drives with LIP6

# SVM control panel

In case of an overlapping double door a time delay between the two drives is necessary. This will be realised with an additional connecting of a LIP6.

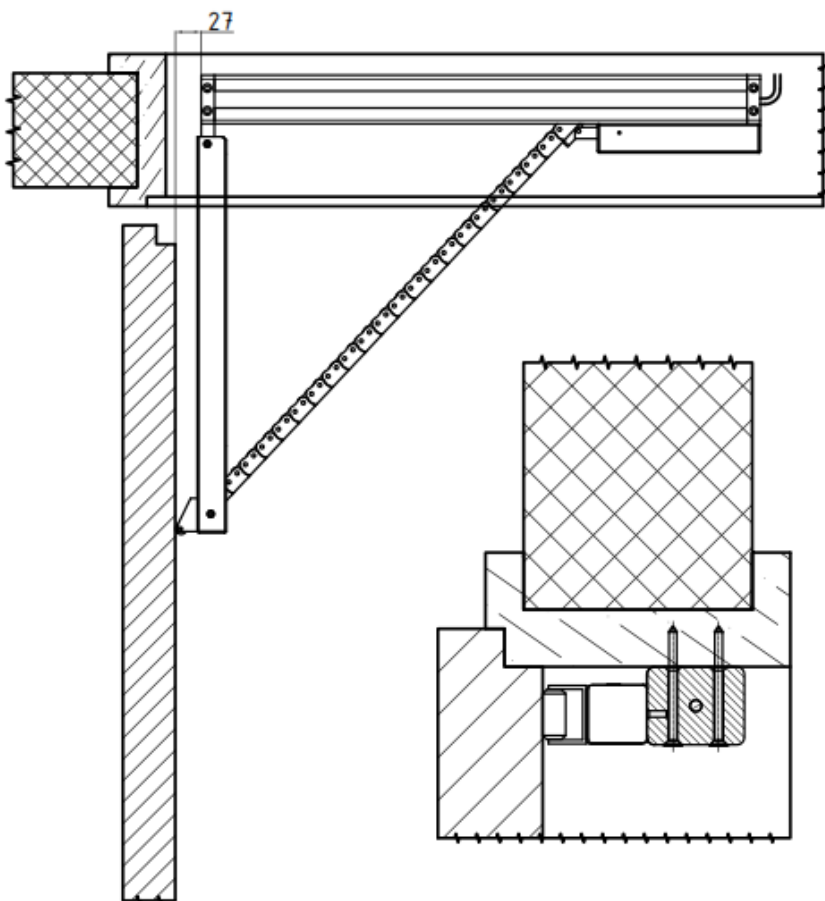
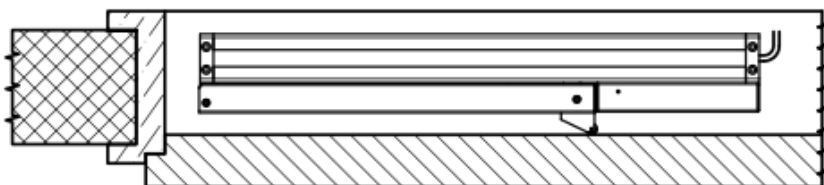
For line surveillance a third wire is necessary. Connect two 27kΩ resistors and set jumpers J2 and J3 like shown in drawing. If no line surveillance is necessary, remove jumper J2 and J3.



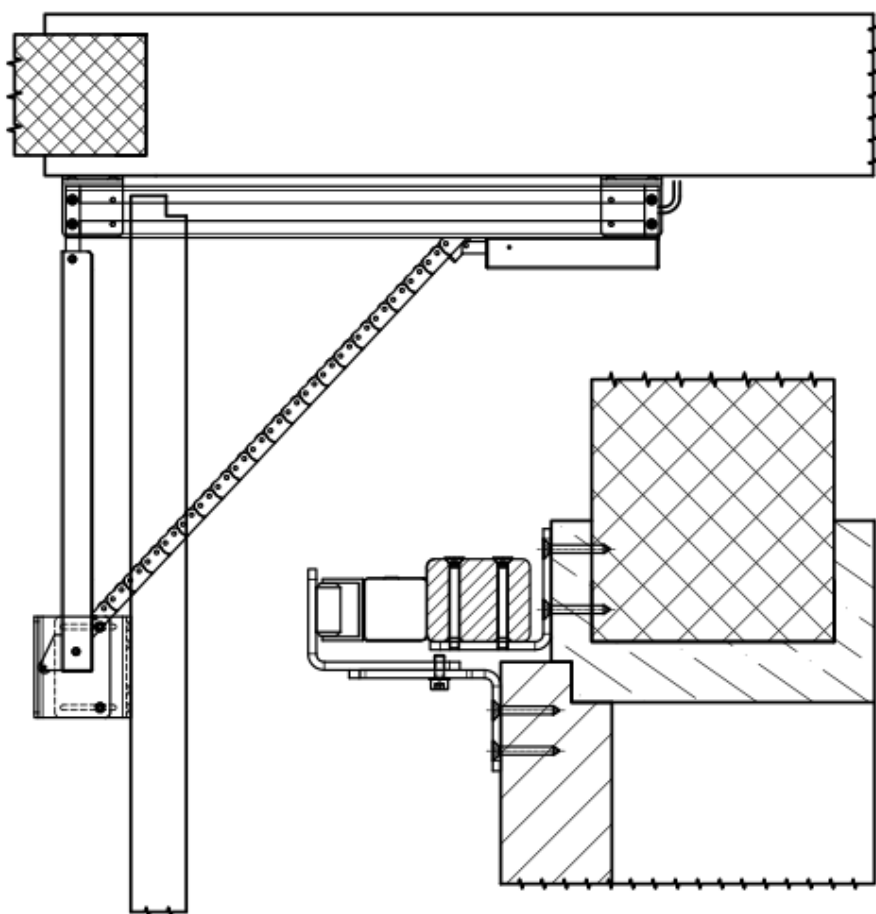
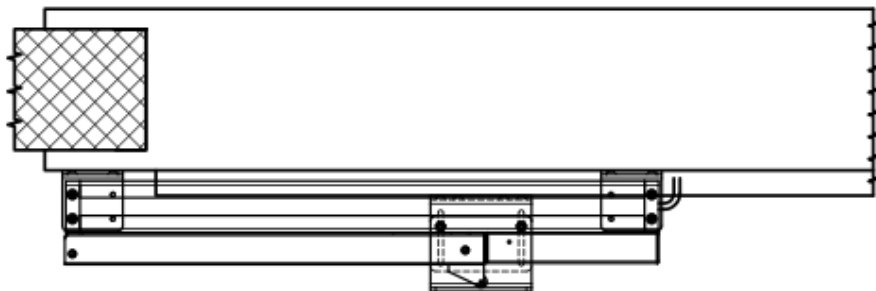
## Mounting instruction

**Please be aware, that in all bracket sets are no screws included. Choose proper screws according to frame material!**

Door outwards opening:



Door inwards opening (Please order bracket set 390061 separately):



# DECLARATION OF COMPLIANCE

**Actulux**

No. 003CPR2013-05-14



(DK) OVERENSSTEMMELSESERKLÆRING  
(UK) DECLARATION OF COMPLIANCE  
(D) ÜBEREINSTIMMUNGSERKLÄRUNG

For produktet: **Kædemotor**  
For the product: **Chain drive**  
Für das Produkt: **Kettenantrieb**

Type/Type/Typ: **HCV door drive**

Nr./No./Nr.: **318061**

Formål: **Elektrisk motor til åbning og lukning af vinduer**  
Purpose: **Electric drive for opening and closing of windows**  
Verwendungszweck: **Elektrischer Antrieb zum Öffnen und Schließen von Fenstern**


Producenten:  
Manufacture: **Actulux A/S, Haandvaerkervej 2, 9560 Hadsund Denmark**  
Hersteller:

Attestering af ydeevne er udført af:  
Attestation of performance is done by:  
Bescheinigung der Leistung durch:

**VTT Expert Service Ltd. (Body No. 0809):**  
**TEST REPORT NO. VTT-S-2422-14**  
**and**  
**TÜV SÜD Product Service GmbH (Body No 0123):**  
**EC CERTIFICATE OF CONFORMITY NO. E8N 13 04 84583 001**

Bekræftet ydeevne/Confirmed performance/Zugesicherte Leistung:

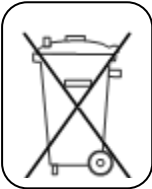
Feature/Feature/Merkmal	Ydeevne/Performance/Leistung	Specifikation/Specification/Spezifikation
Pålidelighed/Reliability/Zuverlässigkeit	Re 1000	EN 12101-2, 2003:9
Brandmodstand/Fire resistance/Wärmebeständigkeit	B 600	EN 12101-2, 2003:9
EMC/EMC/EMV	Class III	EN 61000-6-1:2007 og/and/und EN 61000-6-3/A1:2011

  
Hadsund d. 14 May 2013, Jens Buus, Managing director

## Warranty

We refer to [www.actulux.com](http://www.actulux.com)

## Disposal



Electrical equipment, accessories and packaging should be recycled for environment protection!

Don't dispose electrical equipment into household waste!

Only for EU-Countries: According to the European guideline 2002/96/EG about waste electrical and electronic equipment and its implementation into national law, useless electrical and electronic equipment must be separately collected and recycled for environment protection.

## Contact

**Actulux A/S**

**Haandvaerkervej 2**

**DK-9560 Hadsund**

**Denmark**

**Telefon: +45 98 57 40 90**

**Fax: +45 96 15 28 00**

**[www.actulux.com](http://www.actulux.com)**

©2017 Actulux A/S

Revision: HCV door drive EN\_Rev\_B10\_211823 19.05.2021

Rights to technical modifications reserved