

Instructions

Chain drive series HCV

Type: HCV (24/36/48VDC)



Safety Notes



- **Operating voltage 24/36/48VDC $\pm 15\%$, max Ripple: 2 volt PP.**
- **Don't connect directly to grid!**
- Connection must be carried out by authorized electricians.
- It's necessary to ensure that people keep away from the operation area of the drives. Danger of violent pressure in accessible area!
- Use only in dry rooms.

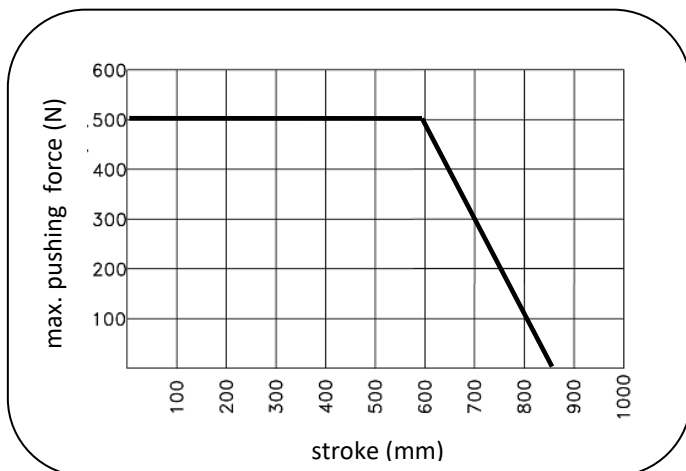
Application area

- For opening and closing of facade and roof windows
- Suitable for fire and heat ventilation and daily ventilation

Stroke-pushing force diagram



- **Maximum pushing force of chain is dependent on stroke and does not correspond to the maximum pushing force of drive!**



Features

- Microprocessor controlled BUS-synchronization.
- Max. 4 drives can be connected with each other.
- Built-in 27k Resistance in supply line.
- Push/Pull-Force, Opening/Closing-Speed and Stroke length can be programmed.
- Electronic overload protection.
- Reduced speed and force during the last 50 mm of closing ("Soft-close".)
- 2 different speeds, one for daily ventilation (slow) and one for SHEV (fast, Orange wire).
- Anodized aluminium housing.
- Drive is supplied with 2.5 m silicone cable.
- Different types of brackets available, depends on type of windows and kind of mounting.
- Compatible to all Actulux 24V-48V SV and SVM Control Panels.
- Tested according to EN 12101-2, EN 50130-4.

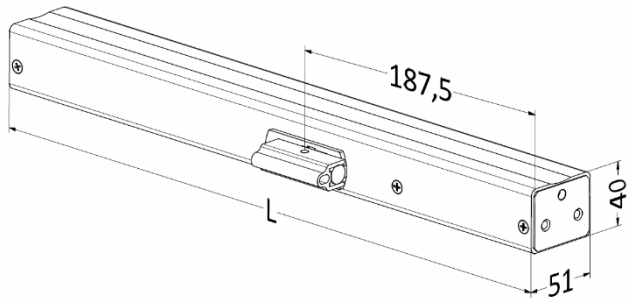
Technical data

Type	Voltage/ Current	Push- force	Pull- force	Stroke length	Speed Natural	Speed Fire
HCV 500/350	24VDC/1.4 A 36VDC/1.05 A 48VDC/0.7 A	500N	500N	350 mm	7 mm/s	7 mm/s
HCV 500/600	24VDC/1.4 A 36VDC/1.05 A 48VDC/0.7 A	500N	500N	600 mm	7 mm/s	10 mm/s
HCV 500/800	24VDC/1.4 A 36VDC/1.05 A 48VDC/0.7 A	--	500N	800 mm	10 mm/s	14 mm/s
HCV 500/1000	24VDC/1.4 A 36VDC/1.05 A 48VDC/0.7 A	--	500N	1000 mm	10 mm/s	17 mm/s

- Power supply: 24/36/48VDC \pm 15 %.
- Consumption: 1.4A/1.05A/0.7A
- Locking force: 2000N
- Lifecycle: >11000 double strokes
- Duty cycle: 30% at 10 min. running time
- Protective class: IP32
- Temperature range: -25°C ~ +75°C
- Soft close speed: ca. 5 mm/s
- Soft close distance: 50 mm
- Soft close force: 200N

Dimensions of type HCV

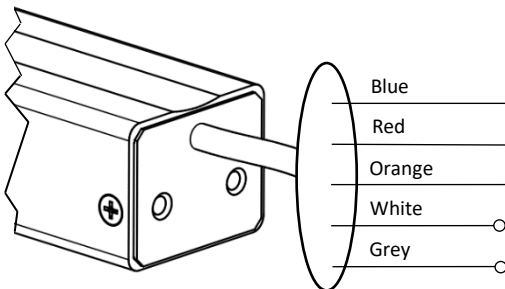
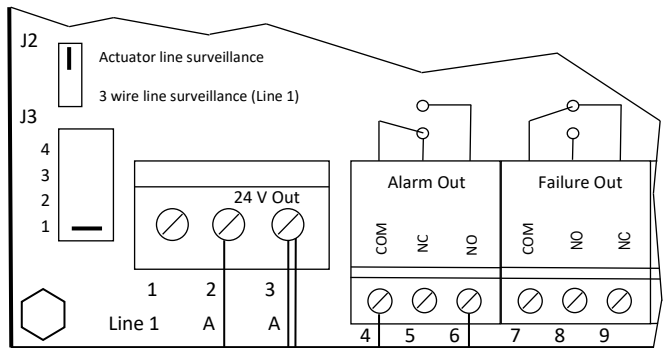
Stroke	Length L
350 mm	436 mm
600 mm	561 mm
800 mm	661 mm
1000 mm	766 mm



Connection for type HCV in single mode

SVM Control Panel

If no line surveillance is necessary, remove jumper J2 and J3.

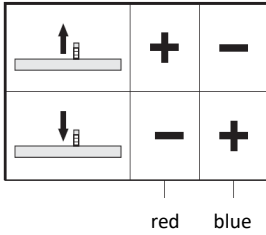


Caution: The white and grey core are only for changing parameters. Parameter change can only be made by an authorized service and sales partner by Actulux.

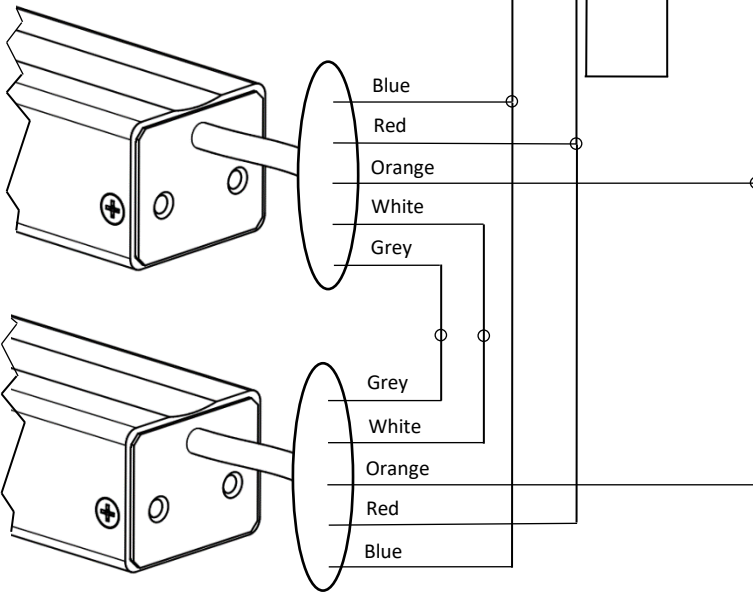
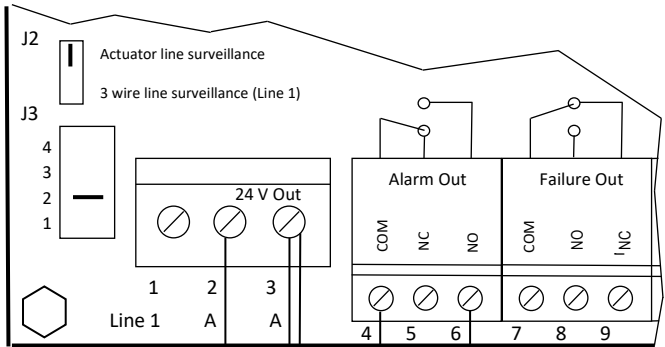
Do not connect the white and grey wire to 230V!

Connection for type HCV in synchro mode

SVM Control Panel



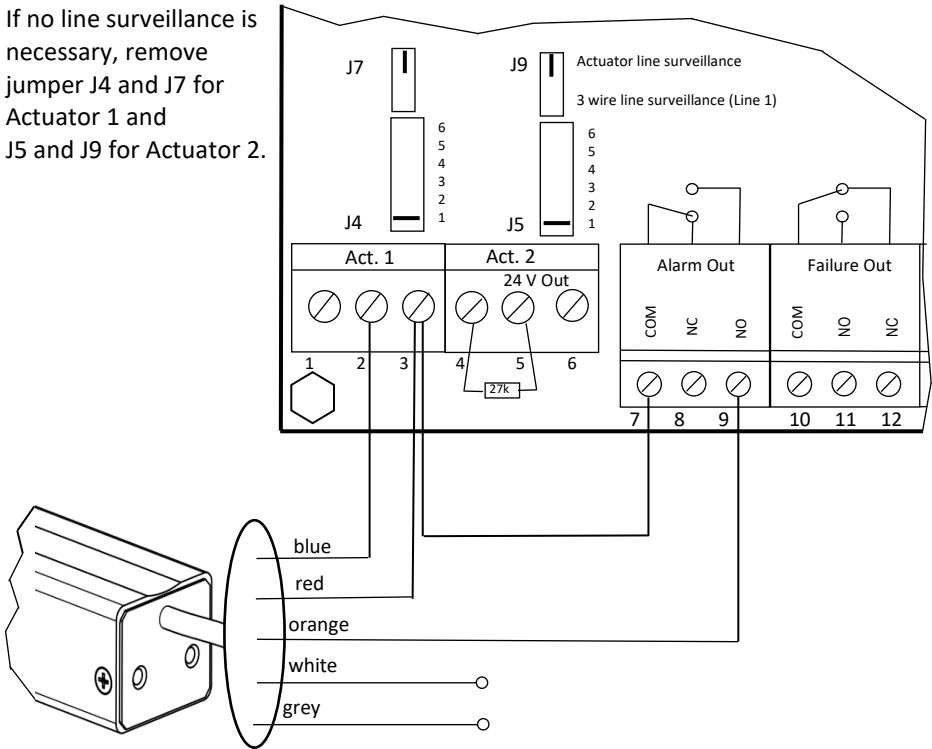
If no line surveillance is necessary, remove jumper J2 and J3.



Caution: The white and grey core are only for changing parameters or for BUS communication in synchro mode. Parameter change can only be made by an authorized service and sales partner by Actulux.

Do not connect the white and grey wire to 230V!

If no line surveillance is necessary, remove jumper J4 and J7 for Actuator 1 and J5 and J9 for Actuator 2.



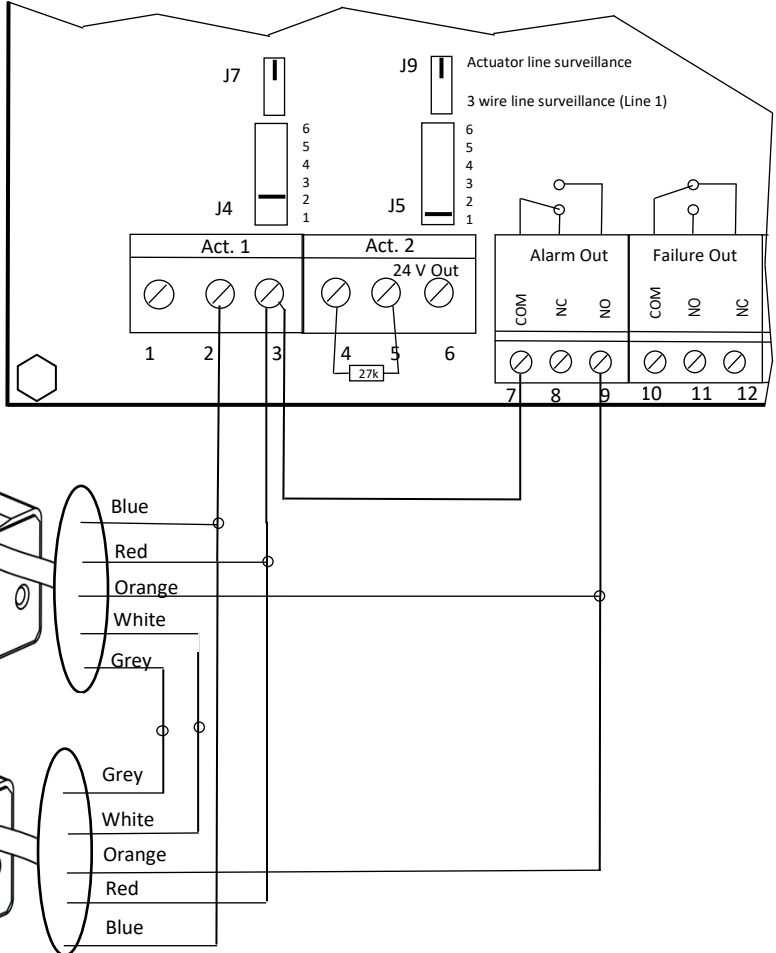
Caution: The white and grey core are only for changing parameters. Parameter change can only be made by an authorized service and sales partner by Actulux.

Do not connect the white and grey wire to 230V!

Connection for type HCV in synchro mode

SV Control Panel

If no line surveillance is necessary, remove jumper J4 and J7 for Actuator 1 and J5 and J9 for Actuator 2



Caution: The white and grey core are only for changing parameters or for BUS communication in synchro mode. Parameter change can only be made by an authorized service and sales partner by Actulux.

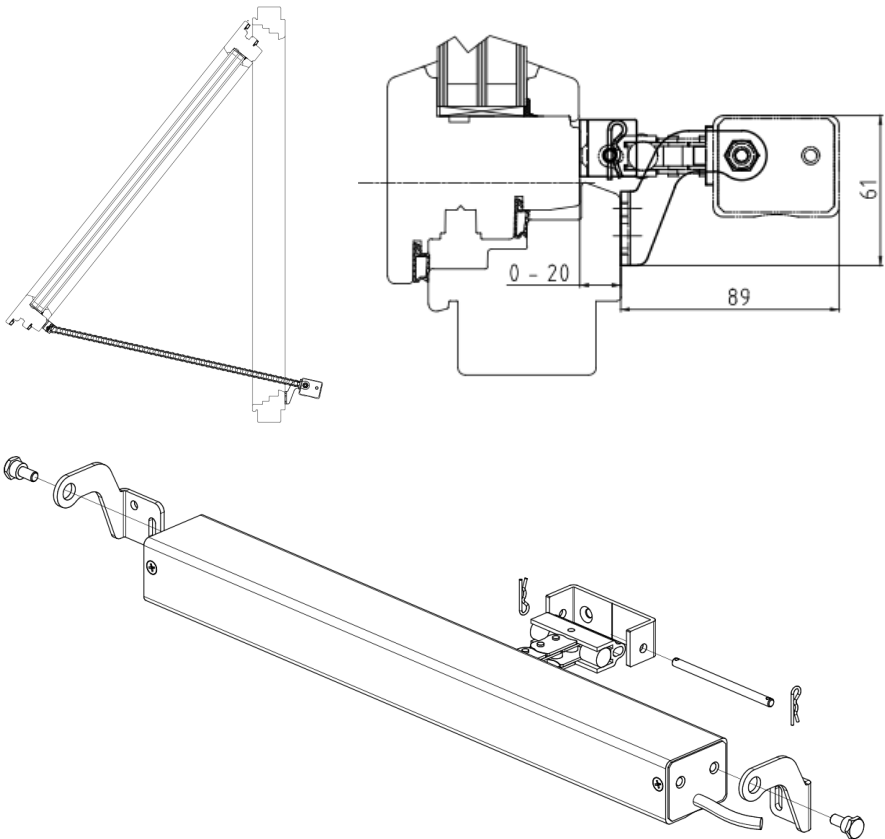
Do not connect the white and grey wire to 230V!

Mounting instructions

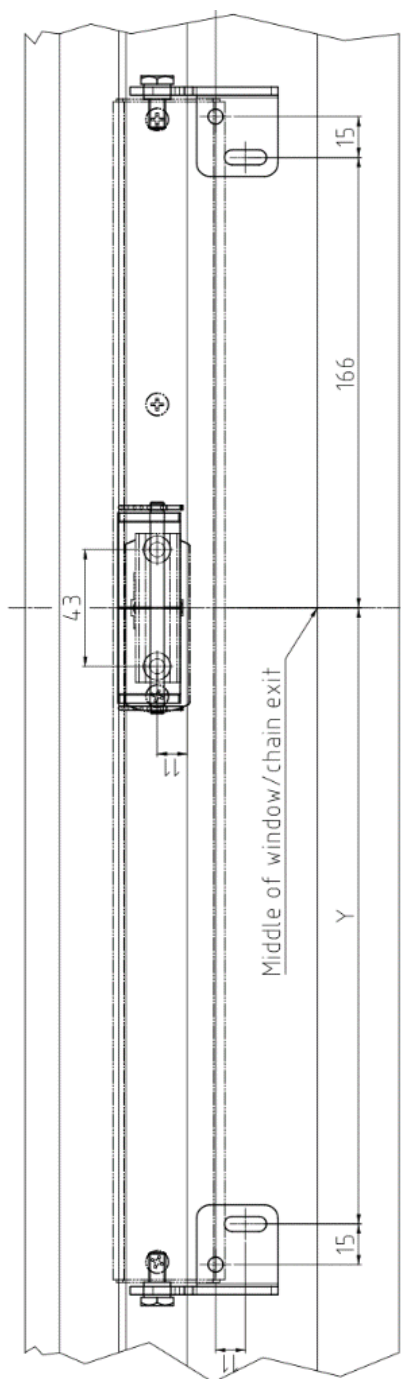
Application	Bracket Set	Order No.
Outwards opening window, top hung	HMB-HCV-01	390000
Inwards opening window, bottom and side hung	HMB-HCV-02	390120
Skylight / Roof window	HMB-HCV-03	33010102

Please be aware, that in all bracket sets are no screws included. Choose proper screws according to frame material!

HMB-HCV-01

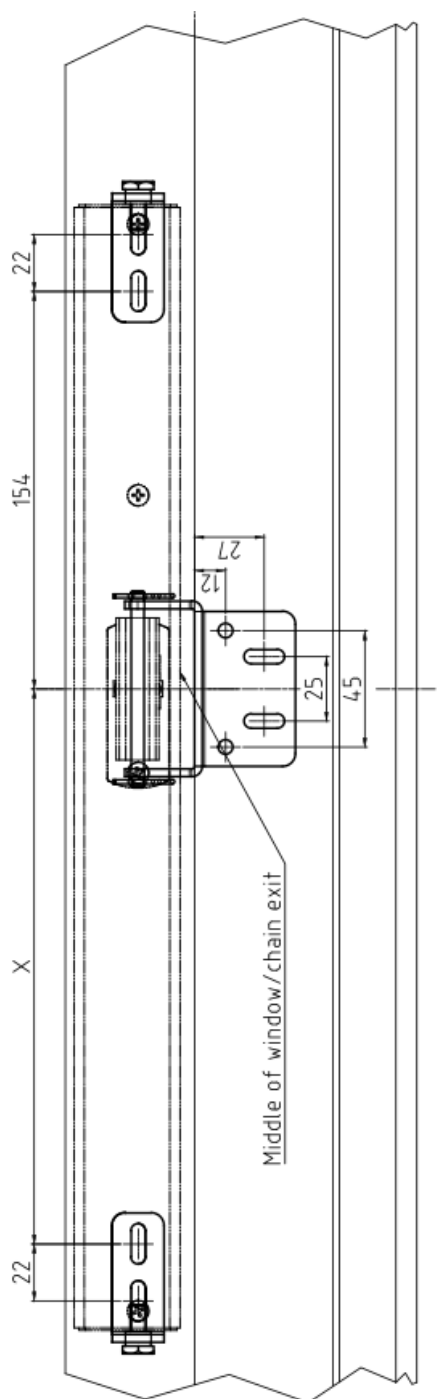


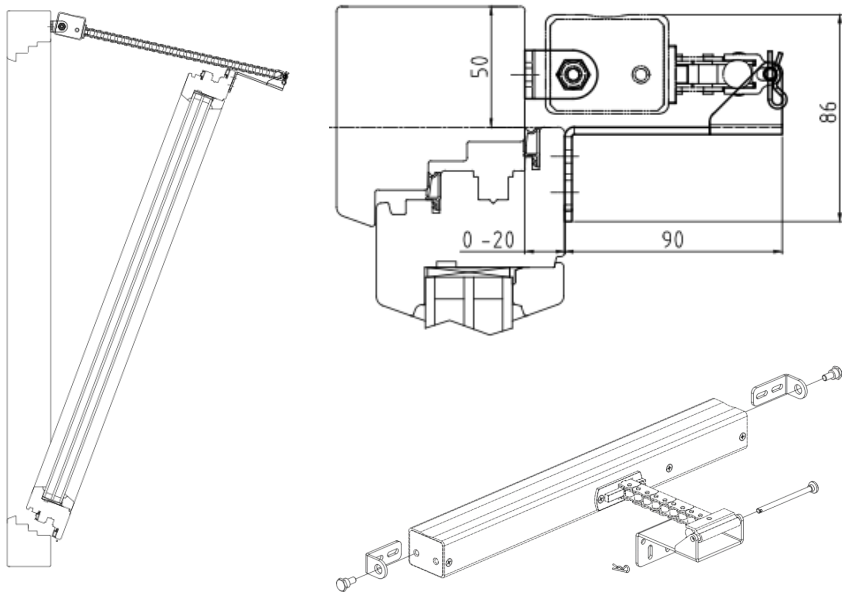
Stroke	Y
350 mm	227 mm
600 mm	352 mm



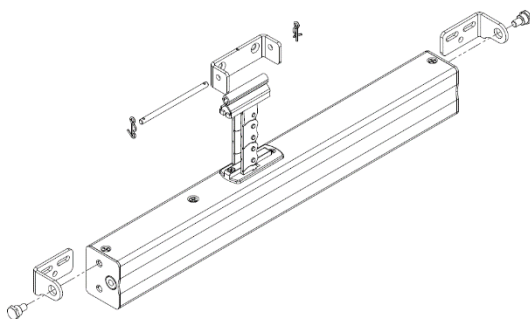
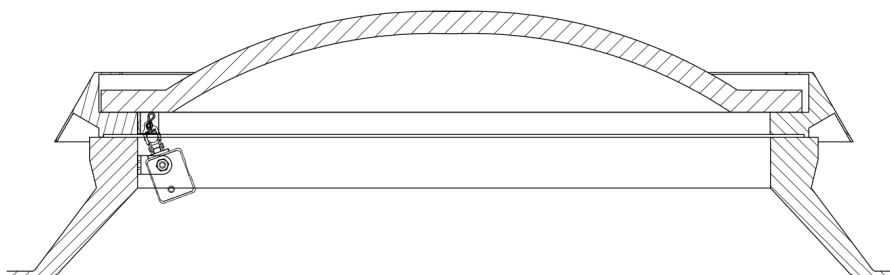
HMB-HCV-02

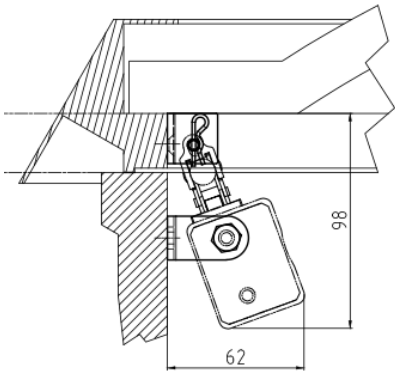
Stroke	X
350 mm	215 mm
600 mm	340 mm
800 mm	440 mm
1000 mm	545 mm



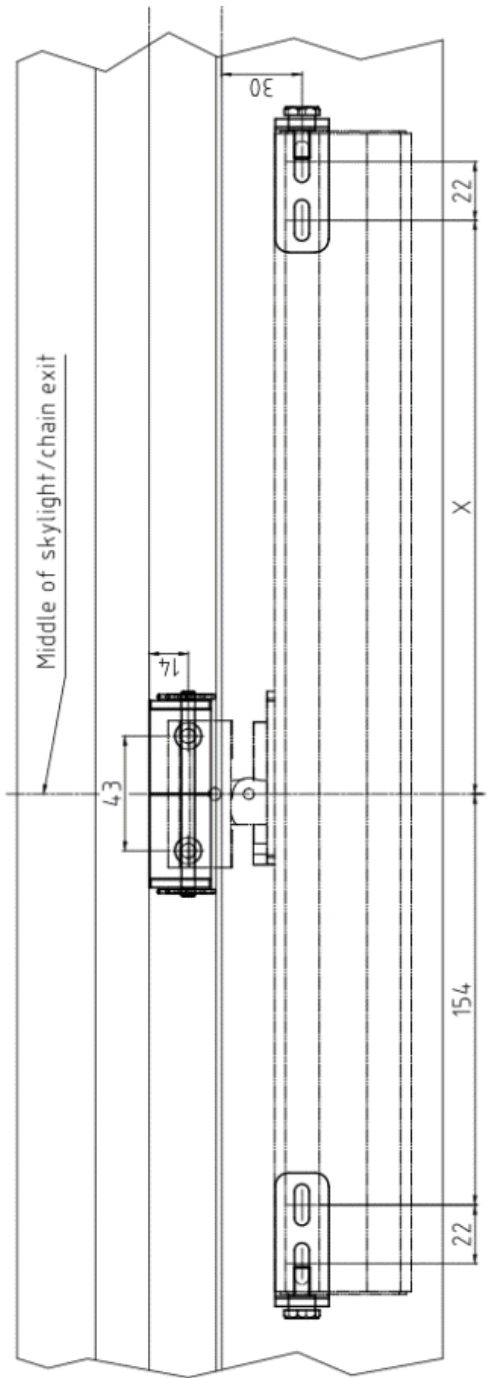


HMB-HCM-03 for skylights





Stroke	X
350 mm	215 mm
600 mm	340 mm
800 mm	440 mm
1000 mm	545 mm



DECLARATION OF COMPLIANCE

Actulux

No. 003CPR2013-05-14



(DK) OVERENSSTEMMELSESERKLÆRING
(UK) DECLARATION OF COMPLIANCE
(D) ÜBEREINSTIMMUNGSERKLÄRUNG

For produktet: **Kædemotor**
For the product: **Chain drive**
Für das Produkt: **Kettenantrieb**

Type/Type/Typ: **HCV xxx/xxx**

Nr./No./Nr.: **318035 – 318100**

Formål: **Elektrisk motor til åbning og lukning af vinduer**
Purpose: **Electric drive for opening and closing of windows**
Verwendungszweck: **Elektrischer Antrieb zum Öffnen und Schließen von Fenstern**


Producenten:
Manufacture: **Actulux A/S, Haandvaerkervej 2, 9560 Hadsund Denmark**
Hersteller:

Attestering af ydeevne er udført af:
Attestation of performance is done by:
Bescheinigung der Leistung durch:

VTT Expert Service Ltd. (Body No. 0809):
TEST REPORT NO. VTT-S-2422-14
and
TÜV SÜD Product Service GmbH (Body No 0123):
EC CERTIFICATE OF CONFORMITY NO. E8N 13 04 84583 001

Bekræftet ydeevne/Confirmed performance/Zugesicherte Leistung:

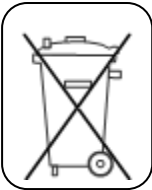
Feature/Feature/Merkmal	Ydeevne/Performance/Leistung	Specifikation/Specification/Spezifikation
Pålidelighed/Reliability/Zuverlässigkeit	Re 1000	EN 12101-2, 2003:9
Brandmodstand/Fire resistance/Wärmebeständigkeit	B 600	EN 12101-2, 2003:9
EMC/EMC/EMV	Class III	EN 61000-6-1:2007 og/and/und EN 61000-6-3/A1:2011


Hadsund d. 14 May 2013, Jens Buus, Managing director

Warranty

We refer to www.actulux.com

Disposal



Electrical equipment, accessories and packaging should be recycled for environment protection!

Don't dispose electrical equipment into household waste!

Only for EU-Countries: According to the European guideline 2002/96/EG about waste electrical and electronic equipment and its implementation into national law, useless electrical and electronic equipment must be separately collected and recycled for environment protection.

Contact

Actulux A/S

Håndværkervej 2

DK-9560 Hadsund

Denmark

Telefon: +45 98 57 40 90

Fax: +45 96 15 28 00

www.actulux.com

©2017 Actulux A/S

Revision: B09-211820-16.10.2019

Rights to technical modifications reserved