

HCVA CHAIN DRIVE

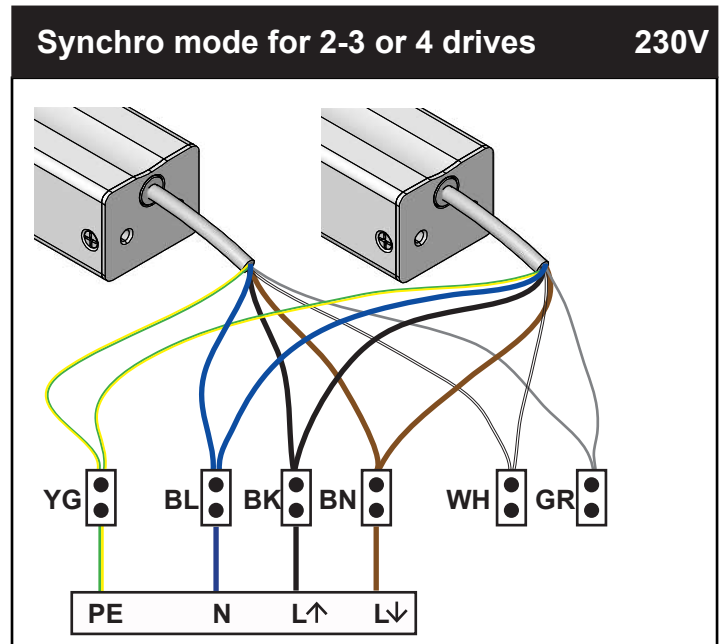
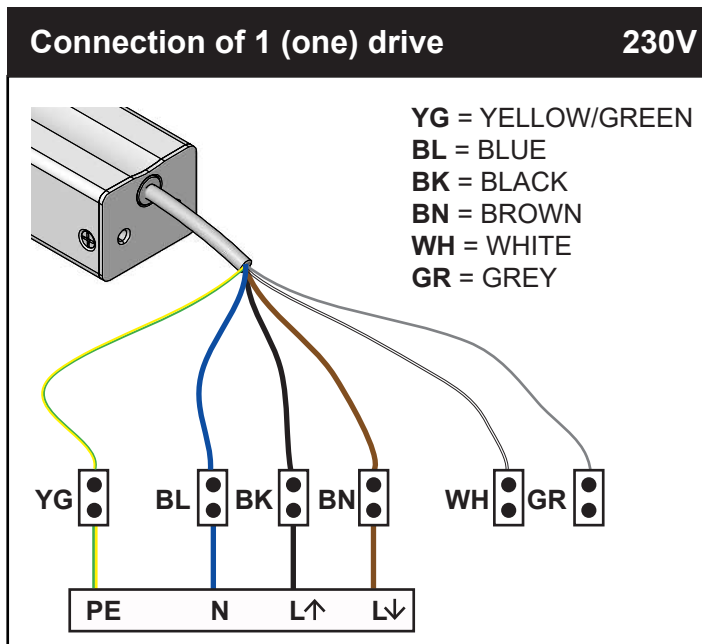
DATA SHEET
#211488

Electrical window opener for Roof and Facade
Model: **HCVA**

ELECTRICAL CONNECTION



- Operating voltage **230V**
- **Must be connected to protective earth (PE)**
- Connection must be carried out by authorized electricians!
- Ensure that people keep away from the operation area of the drives. Danger of violent pressure in accessible area!
- Use only in dry environments!
- Rain sensor is recommendable when comfort opening is available.
- The installer or the project responsible is obliged to make risk analysis.



SUPPLY

BLACK and BROWN (L)

| | | |
|-----------|-------|-------|
| Direction | ↑ | ↓ |
| Colour | BLACK | BROWN |

YELLOW / GREEN

PE

BLUE

N

WHITE and GREY

White and Grey wires are used for communication and must be connected in use for Synchro of 2-3 or 4 drives.

Synchro-mode requires programming by Actulux or by PMD-Tool.



Disposal

Electrical equipment, accessories and packaging should be recycled for environment protection!

Don't dispose electrical equipment into household waste!

Only for EU-Countries: According to the European guideline 2002/96/EG about waste electrical and electronic equipment and its implementation into national law, useless electrical and electronic equipment must be separately collected and recycled for environment protection.

HCVA CHAIN DRIVE

DATA SHEET
#211488

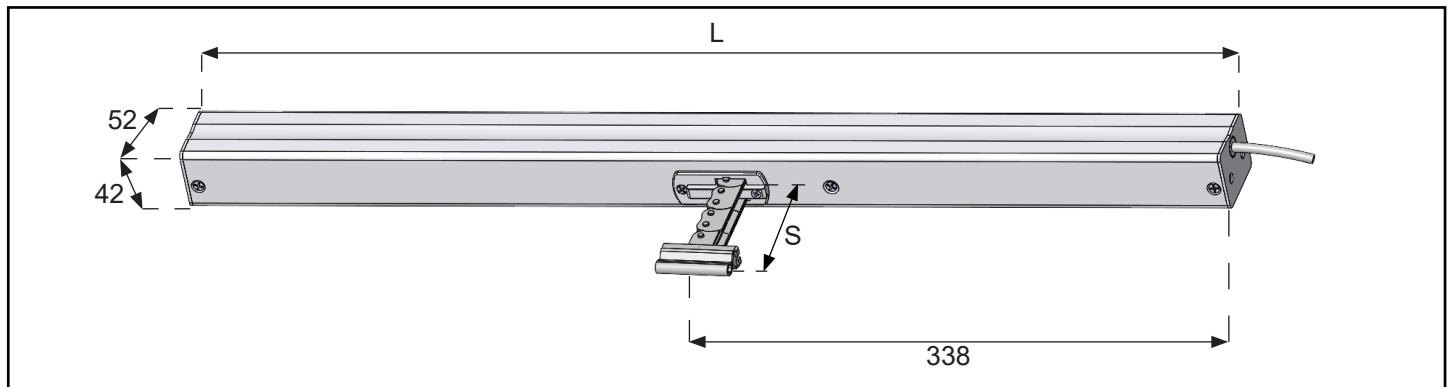
Electrical window opener for Roof and Facade
Model: **HCVA**

TECHNICAL DATA

| | |
|-------------------|-----------------------------|
| Power supply | 190-250VAC/50 HZ Max 13A |
| Consumption | 0,5 A/230VAC |
| Locking force | 2500N |
| Lifecycle | >11,000 double strokes |
| Duty cycle | 30% v. 10 min. running time |
| Protective class | IP32 |
| Temperature range | -25°C ~ +75°C |

| | |
|-----------------|-----------------------------------|
| 2 speed levels | Comfort (silent) / FIRE < 60 sec. |
| Soft Close | Reduced closing force 50mm/200N |
| Standard colour | White (RAL 9010) |
| Cable length | 2.5m Silicone cable |

Designed in accordance with EN 12101-2 and EN 50130-4.



| Item no. | Model | Power supply | Push force | Pull force | Stroke (S) | Speed (comfort) | Speed (fire) | Length (L) |
|----------|---------------|--------------|------------|------------|------------|-----------------|--------------|------------|
| 31020100 | HCVA 500/350 | 230VAC | 500N | 500N | 350mm | 7mm/s | 7mm/s | 586mm |
| 31020200 | HCVA 500/600 | | 500N | | 600mm | 7mm/s | **10mm/s | 711mm |
| 31020300 | HCVA 500/800 | | * | | 800mm | 10mm/s | **14mm/s | 811mm |
| 31020400 | HCVA 500/1000 | | * | | 1000mm | 10mm/s | **17mm/s | 916mm |

*Use only for bottom and side hung window (If other uses are considered, contact your supplier)

**FIRE Speed requires programming by Actulux or by use of PMD-Tool



PMD Tool



Accessories



Control Panels



DOC