

HCVAR CHAIN DRIVE

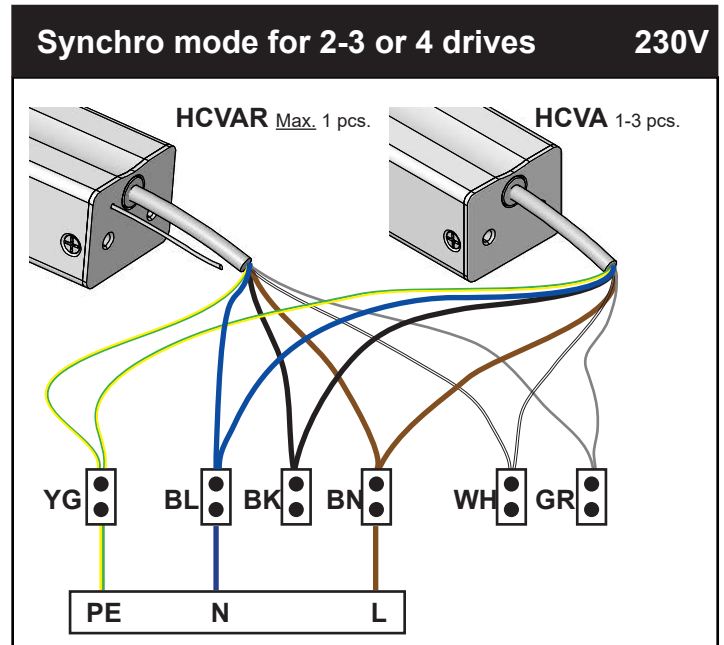
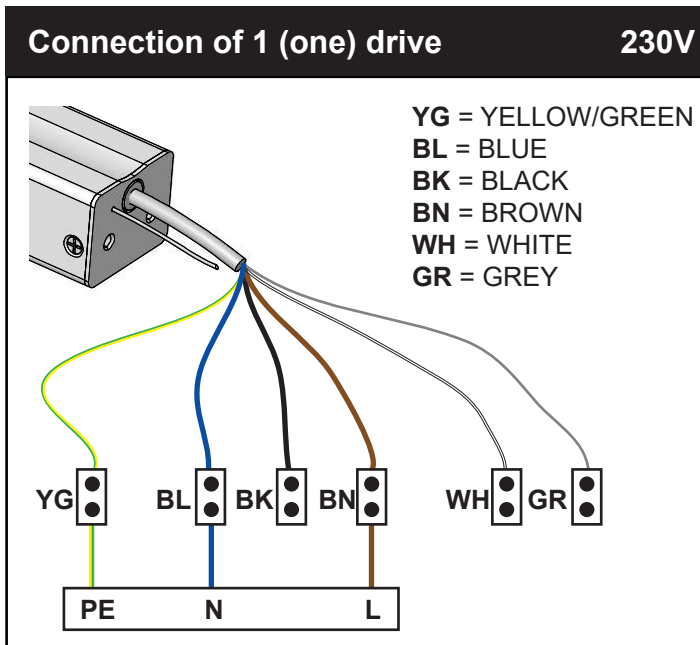
DATA SHEET
#211495

Electrical window opener for Roof and Facade
Model: **HCVAR**

ELECTRICAL CONNECTION



- Operating voltage **230V**
- **Must be connected to protective earth (PE)**
- Connection must be carried out by authorized electricians!
- Ensure that people keep away from the operation area of the drives. Danger of violent pressure in accessible area!
- Use only in dry environments!
- Rain sensor is recommended.
- The installer or the project responsible is obliged to make risk analysis.



SUPPLY

YELLOW / GREEN: PE

BLUE: N

BLACK: Not in use

BROWN: L



WHITE and GREY

White and Grey wires are used for communication and must be connected in use for Synchro mode.

Max. 4 x drives can be synchronized.
(1 x HCVAR can be synchronized with 1-3 x HCVA, but maximum with 1 x HCVAR each synchro set).

Synchro mode requires programming by Actulux or by PMD-Tool.

Attention!

Do NOT connect White and Grey wires to 230V!

Cannot be used with wired comfort switch. Use only OPUS Wireless comfort switch #111900



Disposal

Electrical equipment, accessories and packaging should be recycled for environment protection!
Don't dispose electrical equipment into household waste!

Only for EU-Countries: According to the European guideline 2002/96/EG about waste electrical and electronic equipment and its implementation into national law, useless electrical and electronic equipment must be separately collected and recycled for environment protection.

HCVAR CHAIN DRIVE

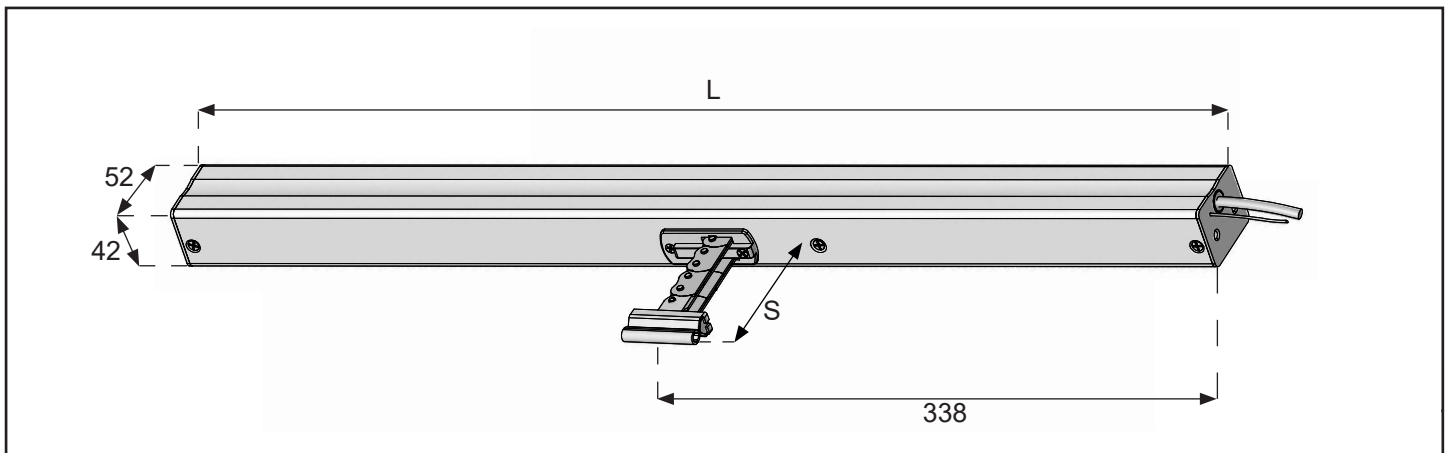
DATA SHEET
#211495

Electrical window opener for Roof and Facade
Model: **HCVAR**

TECHNICAL DATA

| | |
|-------------------|-----------------------------|
| Power supply | 190-250VAC/50 HZ Max 13A |
| Consumption | 0,5 A/230VAC |
| Locking force | 2500N |
| Lifecycle | >11,000 double strokes |
| Duty cycle | 30% v. 10 min. running time |
| Protective class | IP32 |
| Temperature range | -25°C ~ +75°C |

| | |
|---|---------------------------------|
| Soft Close | Reduced closing force 50mm/200N |
| Standard colour | White (RAL 9010) |
| Cable length | 2.5m Silicone cable |
| Designed in accordance with EN 50130-4. | |



| Item no | Model | Power supply | Push force | Pull force | Stroke (S) | Speed | Length (L) |
|----------|----------------|--------------|------------|------------|------------|---------|------------|
| 31030100 | HCVAR 500/350 | 230VAC | 500N | 500N | 350 mm | 7 mm/s | 586 mm |
| 31030200 | HCVAR 500/600 | | 500N | | 600 mm | 7 mm/s | 711 mm |
| 31030300 | HCVAR 500/800 | | * | | 800 mm | 10 mm/s | 811 mm |
| 31030400 | HCVAR 500/1000 | | * | | 1000 mm | 10 mm/s | 916 mm |

*Use only for bottom and side hung window (If other uses are considered, contact your supplier)



PMD Tool



Accessories



Control Panels



DOC

HCVAR CHAIN DRIVE

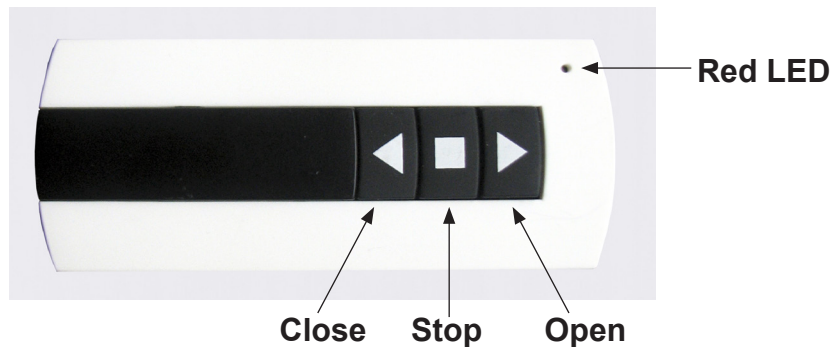
DATA SHEET

Electrical window opener for Roof and Facade
Model: **HCVAR**

FUNCTION OF REMOTE CONTROL FOR HCVAR

Note!

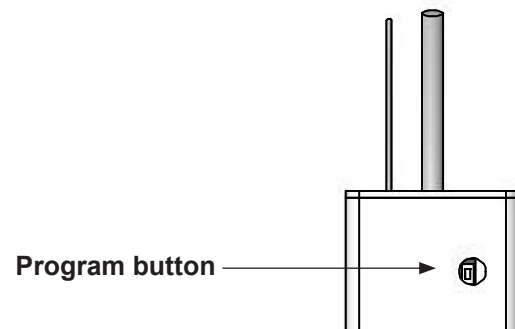
The remote control is operated at a short press per function. Long pressures will cause shorter battery life.



PAIRING HCVAR WITH REMOTE CONTROL

By default, HCVAR comes with a paired remote control (item no.# 111890).
One chain drive remember max. 20 pcs. remote controls

To access the "Program button" in the drive, remove the plastic cap on the top of the housing.



- 1) Press and hold the "program button" on the chain drive until the LED / Buzzer indicator lights / beeps - RELEASE THE BUTTON IMMEDIATELY.
- 2) Within 5 seconds - press any button on the remote control and its LED indicator lights up.
- 3) The LED / Buzzer indicator in the chain drive turns off after one flash / beep = the remote control and chain drive are now paired.

If you need to remove one remote, you have to delete all of them; by pressing the "Program button" for more than 3 seconds until the LED / Buzzer indicator has been switched on and off again. Now all remote controls are deleted and you need to pair all of them again.

PAIRING HCVAR WITH WIRELESS WEATHER SENSOR

It is possible to connect a weather sensor wireless to the chain drive.

| | |
|---------------------|---------|
| Rain sensor | #111960 |
| Wind- & Rain sensor | #111961 |
| RF-transmitter | #111892 |



Weather sensor manual