

# aumüller ■

## CHAIN DRIVE KS4

Minimum dimensions and high forces turn this chain drive into a highlight at any window!

NEW ■

- ✓ variable installation options
- ✓ flexible drive parameter settings
- ✓ large opening angles possible



# KS4 – COMPACT, POWERFUL, UNIQUE

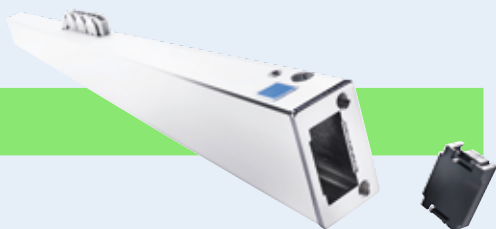
Innovative peak performance at 35 × 24 mm

**W**ith a force of 400N and a highly compact 35 × 24 mm (W × H) housing, KS4 sets new standards in its chain drive class.

The new connector solutions at both ends enable up to six drives and locking drives to be connected in series. Non-console, direct installation and the M-COM Click for the self-learning configuration in multi-drive systems greatly simplify the installation.

By way of a data bus, the integrated microprocessor can communicate with AUMÜLLER control units. This allows various situation-related speeds as well as forces to be driven in the context of modern facade automation systems.

## M-COM® Click



- Autonomously and without programming, M-COM® Click configures the synchronous run and even the shut-off sequence should additional locks be fitted – and that within seconds.



- The M-COM® display indicates successful configuration, number of components connected and any malfunctions, should they occur.



High-end, stainless steel sidebow chain with recessed rivet heads



Precision-fit rivet heads and vibration-free motor for low-noise levels



M-COM Click for self-learning configuration in multi-drive systems



Powerful 400N for innovative peak performance



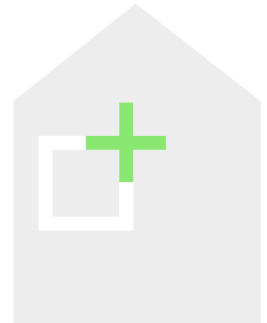
Up-to-date design with naturally anodised aluminium housing; paint finish in RAL colours to order

NEW ■

### Connector for rigid installation.

■ Another member for the AUMÜLLER Click family. Two drives can now be interconnected easily with the rigid connector. This together with a left and right KS4 produces an optically continuous image at the window – and without any annoying cables to be seen.

■ Dimensions: 70 × 26 × 13 mm



Universal installation options for **absolute flexibility**



**Simple installation** with direct fixing option



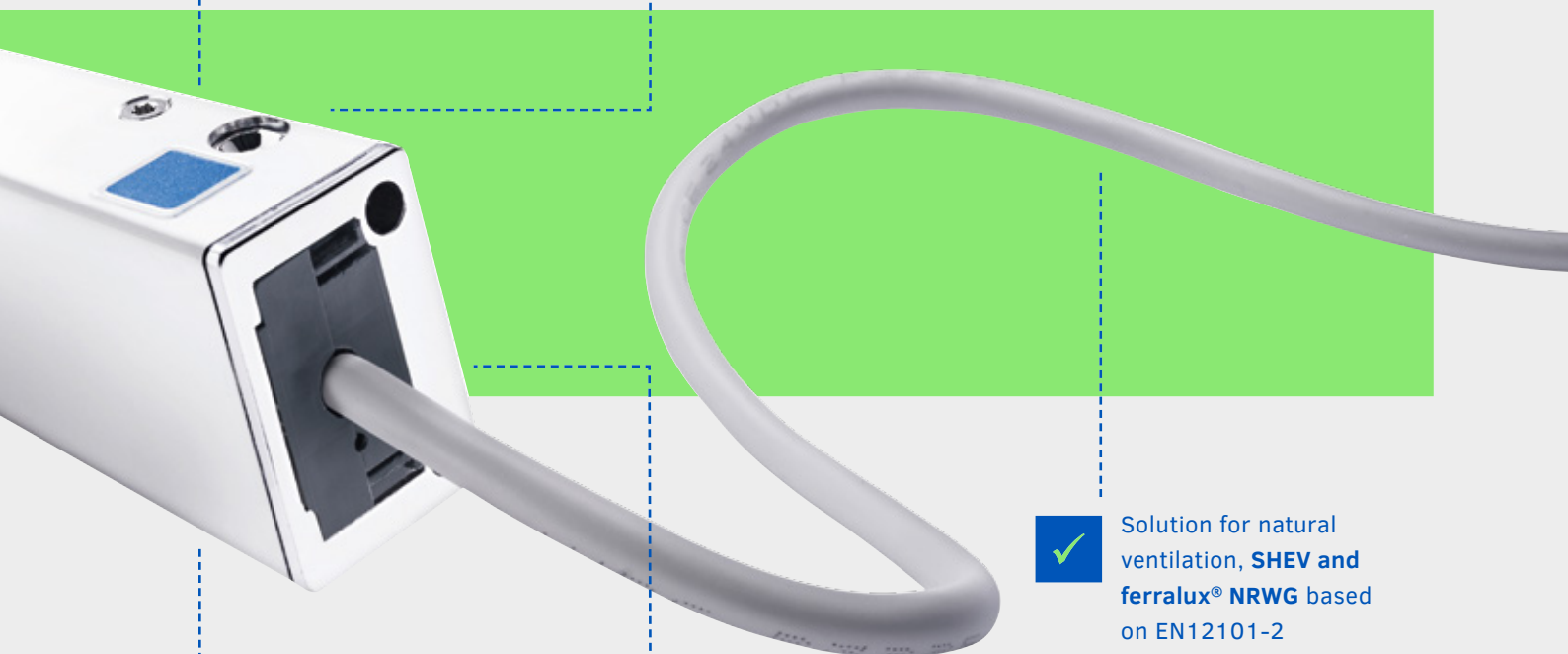
**Numerous programmable parameters** of the intelligent S12 electronic control



**Integrated connector solution** for rapid mounting of the multi-drive



Solution for natural ventilation, **SHEV** and **ferralux® NRWG** based on EN12101-2



# KS4

## Technical Specification

### Deployment

- Use: ventilation, SHEV, ferralux®-NRWG
- Integrated, intelligent electronic control S12
- Feedback end position "CLOSED" (max. 24V, 500 mA)

### Equipment

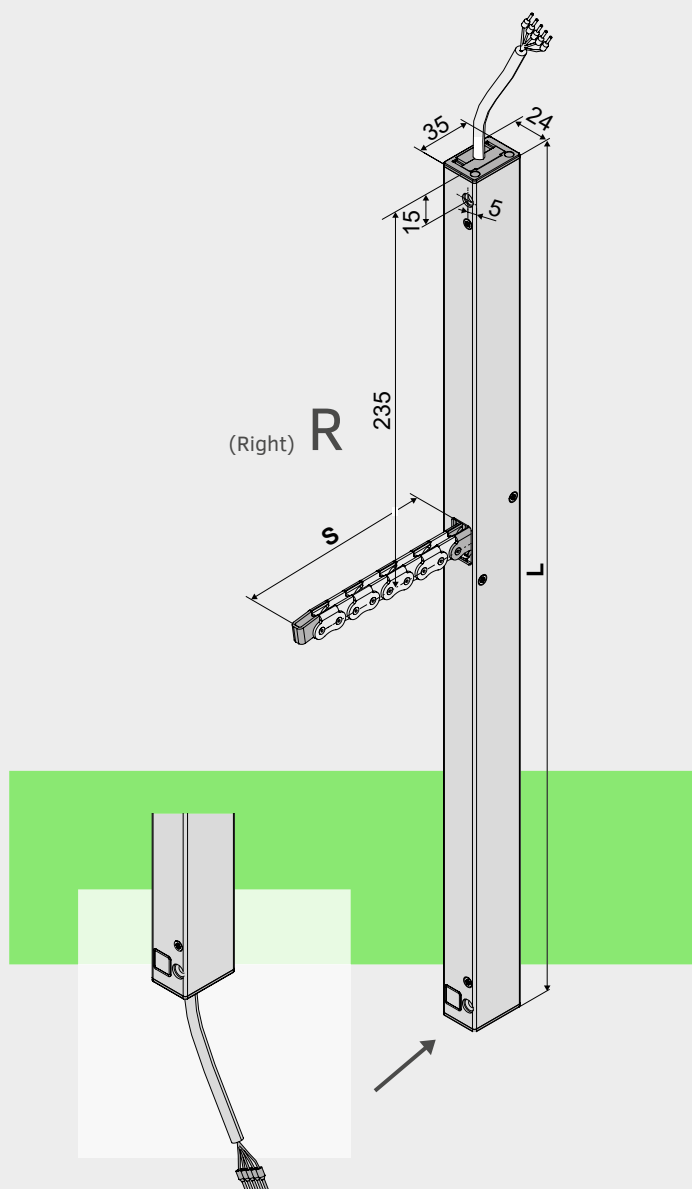
- Extra universal connector set for multiple operation

### Options

- Programming special functions
- Programmable feedback end position "OPEN" (max. 24V, 500 mA)
- M-COM for automatic configuration of synchronous operation and sequential control with locking drives in multi-drive systems

## DETAILS

- Rated voltage: 24V DC ( $\pm 20\%$ ), max. 2 Vpp
- Rated current: 0.9 A
- Cut-off current: 1.2 A
- Rated input: 22 W
- Duty cycle: 30% (ON: 3 min./OFF: 7 min.)
- Protection rating: IP 32
- Ambient temperature:  $-5^{\circ}\text{C} \dots +75^{\circ}\text{C}$
- Pulling force/pushing force: max. 400 N
- Closing force: 1,800 N (fastening-conditioned)
- Chain: Stainless steel with recessed rivets. Easy attachment to a casement bracket. Small bending radii ensure large opening angles at a low casement height.
- Connecting cable: non-halogen, grey  $5 \times 0.5 \text{ mm}^2$ ,  $\sim 2 \text{ m}$
- Speed: programmable 5-14 mm/ s
- Stroke 200 – 1000 mm ( $\pm 5\%$ )
- Feedback contact: end position "CLOSED" (max. 24V, 500 mA)
- A-evaluated emission sound pressure level:  $\leq 70 \text{ dB (A)}$

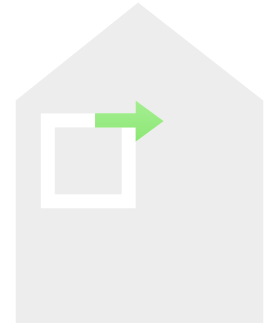


NEW ■

# KS4

A drive for all eventualities

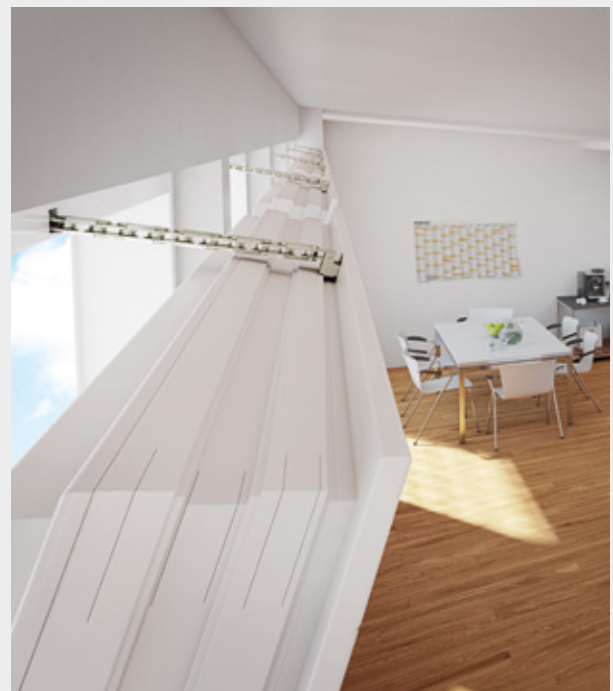
■ FITTED INSTALLATION –  
RIGID DRIVE FIXING



■ FITTED INSTALLATION –  
MOVABLE DRIVE FIXING



■ INTEGRATED INSTALLATION



**NEW**

## KS4

Order the chain drive that sets new standards now

### ORDERING DATA

Item	Item No.
KS4 200 S12 24V R	522020
KS4 300 S12 24V R	522030
KS4 400 S12 24V R	522040
KS4 500 S12 24V R	522050
KS4 600 S12 24V R	522060
KS4 800 S12 24V R	522080
KS4 1000 S12 24V R	522000
KS4 200 S12 24V L	520120
KS4 300 S12 24V L	520130
KS4 400 S12 24V L	520140
KS4 500 S12 24V L	520150
KS4 600 S12 24V L	520160
KS4 800 S12 24V L	520180
KS4 1000 S12 24V	520100
Console K132	522940
Console K134	522941
Console K135	522943
Casement bracket F41	151440
Casement bracket F42	151441
Universal plug 3 m cable length - 24 V DC	501251
Universal plug 5 m cable length - 24 V DC	501252
Universal plug 10 m cable length - 24 V DC	501253
M-COM® Click	524167
M-COM	524177
Aumüller-Click KS4-Connector	524123

9000034201\_V1.0\_KW30/19



AUMÜLLER Aumatic GmbH  
Gemeindewald 11  
86672 Thierhaupten

[www.aumueller-gmbh.de](http://www.aumueller-gmbh.de)

Tel. +49 8271 8185-0  
Fax +49 8271 8185-250  
[info@aumueeller-gmbh.de](mailto:info@aumueeller-gmbh.de)